

产品规格书

Specification

产品名称: UHF 柔性泡棉抗金属电子标签

Part-Name: UHF Flexible foam Anti-metal Printable electronic tag (ETSI)

产品型号 Part-Number : IVF-L205011U

天线型号 Antenna : IVF-TP11305U

设计料号 Reference Number: RD170063D

尺寸 Dimensions

天线尺寸 Antenna Size 113X5.0mm(±0.2mm)

标签尺寸 Tag Size 50X11X1.5mm(±0.5mm)

成品跳距 Product Skip Distance 25.0±0.4mm

卷料宽度 Width of the Tape 50±1.0mm

产品特性 Product Features

衬底基材 Substrate Material 聚酯薄膜 Polyester Film (PET)

天线材料 Antenna Material 铝蚀刻 Aluminum Etching

表面材料 Surface Material ETG50

外观特性 Characteristics 透明、白标 Transparent, Blank

工作频率 Operating Frequency 860MHZ ~ 960MHZ

工作协议 Protocol ISO 18000-6C GEN2 Class 1

标签芯片 Chip IC	Impinj Monza R6
	TID : 96bit
芯片内存容量	EPC : 96bit
Memory Capacity	User : 0bit
	Reserve: 32bit access Password and 32bit kill password
工作模式 Operating Mode	清点或读写 Inventory Read or Write
读写距离 Read and write range	≥0.5M (Fixed Reader device)
重复编程次数 Programming Cycle	100,000 cycles
个性化编码 Personalized Coding	支持多种数据结构的内外组合编码方式 (可同步或离线式编码) ; 支持个性化密钥编
	Supporting multiple data structure of inside and outside combinatorial encoding (can be synchronous and offline encoding) ;
	Supporting personalized key code
产品特性 Product Attribute	抗金属, 超高频, 可打印电子标签
	Resistance to metal, uhf printable label

环境参数 Environmental Parameter

数据保存 Data EEPROM Retention:	10 years
静电保护 ESD Voltage Immunity:	± 2KV
工作温度 Operating Temperature	-25°C ~ 75°C
储存温度 Storage Temperature	0°C ~ 25°C
操作湿度 Relative Humidity:	10% ~ 95%(As Less Reading As More Humidity)

包装资料 Packing Details

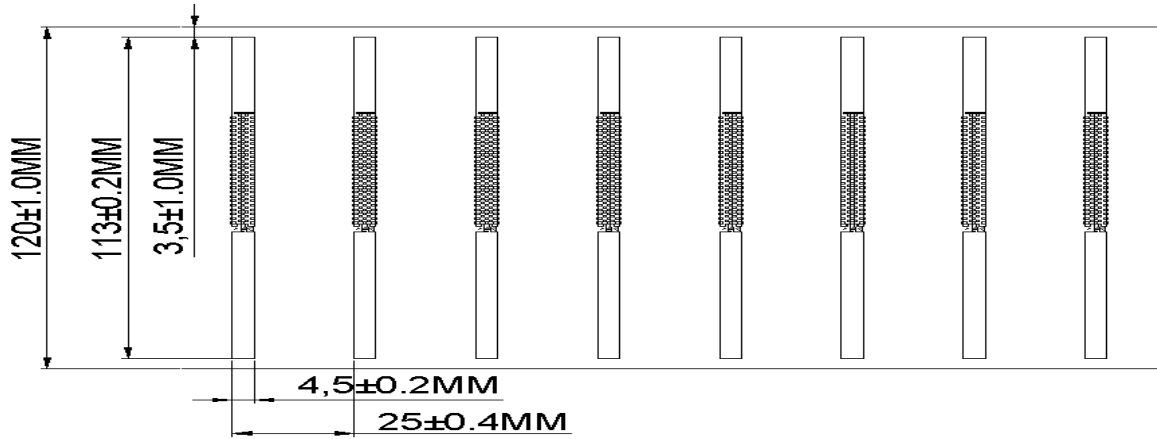
纸芯内径 Core Diameter	76.2mm(3inch)
卷数量 Volume Number	1000 ~ 3000PCS(依实际需求而定) (According to actual demand)
出卷方向 The Roll Direction	面标朝外 (出卷方向依实际需求而定) the Surface or Printing Facing out or up (According to actual demand)
包装材料 Packing Material	防静电珍珠棉+气泡垫+防静电袋+外纸箱 Anti-static PE + Foam stuff + Anti-static Bag

应用 Application

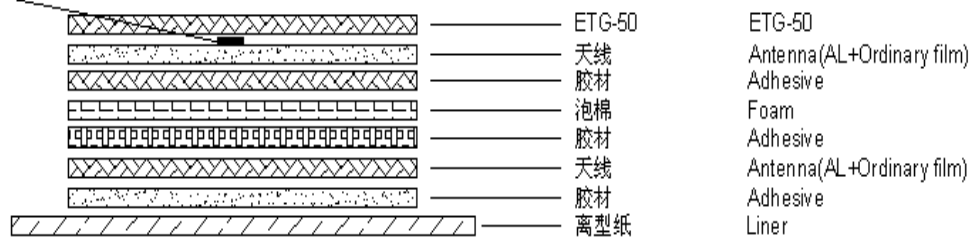
柔耐性好，厚度薄，主要用于金属制品的标识及管理，如不锈钢水壶，金属盒，自动化零部件，工具等不规则形状表面，如弧形，圆形等。另外就是安全控制。

This kind of thin and flexible foam metal use printable electronic tag is mainly used for identification & management of metal products like steel boiler, metal box, automatic industry spare parts, with irregular and uneven surface such as new moon shape, roundness. More is security and security access control

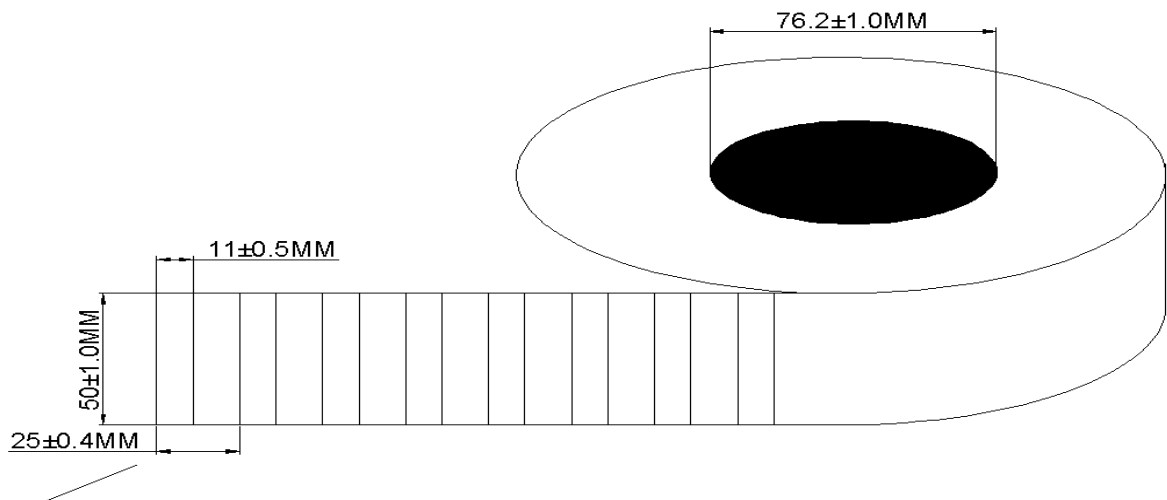
参考图片 Reference Pictures



Chip 150um

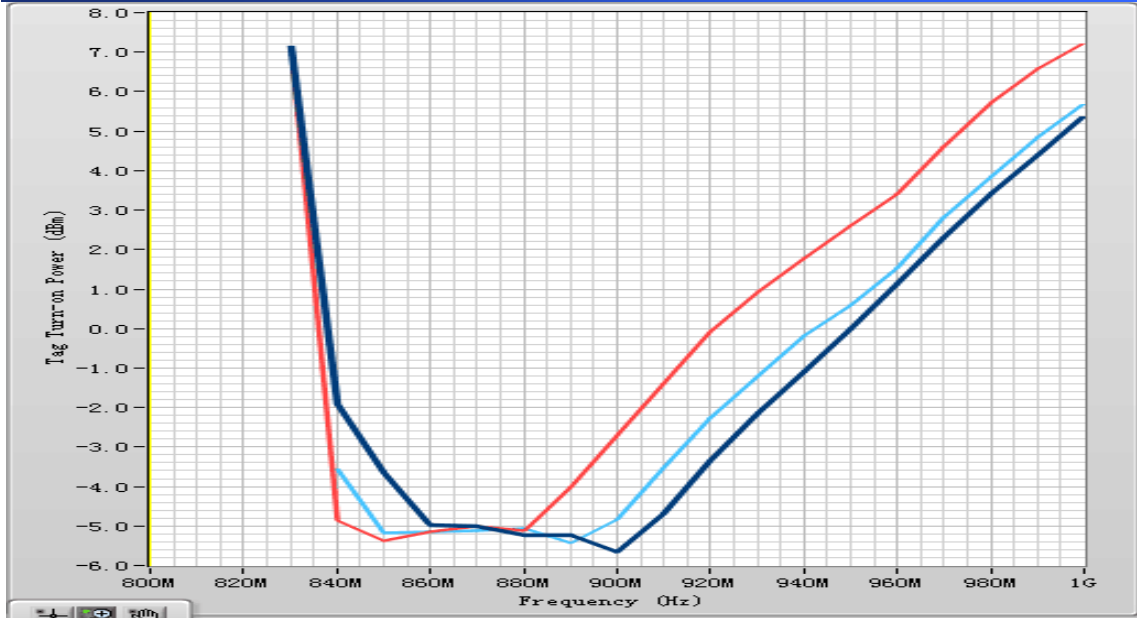


结构 Structure



开卷方向 标签面朝外
 Unwinding direction , Label facing outside

性能曲线参考图 Reference of Graphic Performance



版权声明 Copyright Statement

1. 上述数据是基于本公司对产品特性一般的了解, 仅供一般信息参考, 不能作为英诺尔客户设计和规格的依据。客户购买本产品时应在实际应用条件下测试结果来自行决定是否适用。英诺尔向购买者保证其产品在材料和工艺上没有不良。

The above data is based on our company general understanding of the product attribute, only provide general information for reference, not be the basis of Innov customer design and specification. The decision should be followed practical application if the product is suitable for customers after real test. Innov guarantee customers that there is no bad in products on the material and craft.

2. 此规格书解释权归厦门英诺尔信息科技有限公司所有, 如有变更, 不作另行通知。
The specification is subject to change without prior notice.